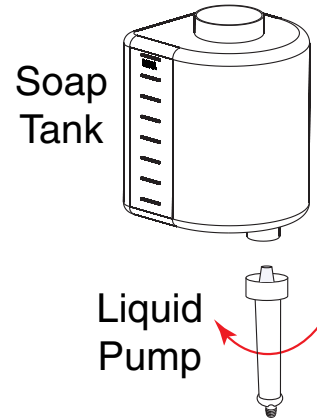
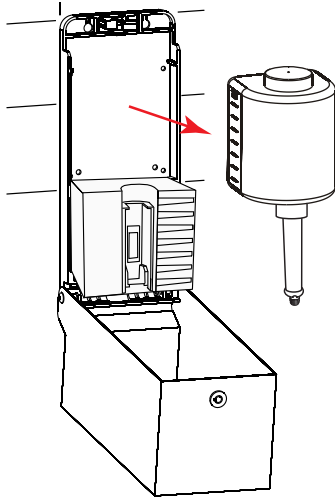


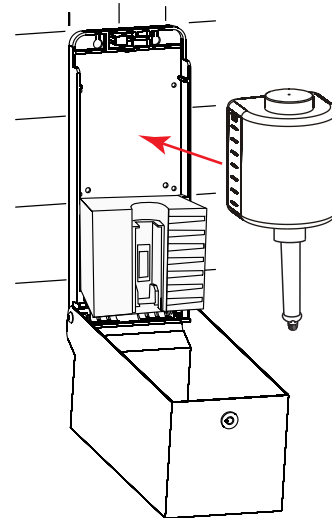
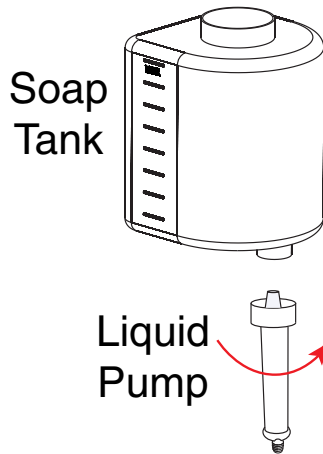
# REPLACEMENT INSTALLATION INSTRUCTIONS

## AUTOMATIC WALL-MOUNTED LIQUID SOAP DISPENSER



1. Remove soap tank and pump from base plate.

2. Unscrew pump clockwise to remove from soap tank.



3. Screw pump counter-clockwise onto soap tank.

4. Place soap tank with pump connected onto base plate.



© 2016 by Bobrick Washroom Equipment, Inc.  
2012-69 i12/20/16

**In the U.S.A.: BOBRICK WASHROOM EQUIPMENT, INC.**

Los Angeles: 6901 Tujunga Ave., North Hollywood, CA 91605-6213; Tel: (818) 982-9600, FAX: (818) 503-1102  
New York: 200 Commerce Drive, Clifton Park, NY 12065-1350; Tel: (518) 877-7444, FAX: (518) 877-5029,  
or e-mail: [customerservice@bobrick.com](mailto:customerservice@bobrick.com)

**In Canada: BOBRICK WASHROOM EQUIPMENT COMPANY**

45 Rolark Drive, Scarborough, Ontario M1R 3B1 • Eastern Canada: Tel: (877) 423-6555 • FAX: (877) 423-8555  
• Western Canada: Tel: (877) 423-6444 • FAX: (877) 423-8444